



Product Instructions

OxyGO[®]
BRAND
CPAP SANITIZER +[™]

Cleans and sanitizes so you can keep going.

www.oxygo.life

IMPORTANT SAFEGUARDS



Warning!

Read all instructions before using this product!

SAVE THESE INSTRUCTIONS.

This manual contains important safety and operating instructions for this product.

When using any electrical appliance, basic safety precautions should always be followed to prevent risk of electrical shock, including the following:

WARNING: TO AVOID RISK OF ELECTRICAL SHOCK, ALWAYS MAKE SURE THE PRODUCT IS UNPLUGGED BEFORE ATTEMPTING TO MOVE OR CLEAN THE DEVICE

1. To protect against risk of electrical shock, do not immerse cord, plug, power adapter, or the OxyGo CPAP Sanitizer+ device in water or other liquid.
2. Do NOT operate appliance if the power cord or plug is damaged. Any damaged part must be repaired or replaced by the manufacturer or an authorized service provider before use. Regularly check the power cord, plug, and power adapter to ensure that they are undamaged.
3. Do NOT run cord under carpeting. Do NOT cover cord with throw rugs, runners, or other similar coverings. Arrange cord away from traffic areas where it will not be tripped over.
4. Do NOT use outdoors or on wet surfaces.
5. Do NOT place near a source of heat.
6. **WARNING: Choking Hazard. Small Parts.** Keep away from children under 3 years.
7. Do NOT use this product other than for its intended use and in accordance with the product instructions.
8. **CAUTION:** This product is not intended for commercial, professional, or industrial use. This product is not intended for the sanitation of medical or dental equipment including surgical devices, scalpels or other medical devices.

****Guaranteed safe for all major CPAP machines if used as directed.****

OxyGo CPAP Sanitizer+ Product Instructions

Congratulations on your purchase of an OxyGo CPAP Sanitizer+ and device cleaner!

Please carefully review the operation and safety information for the OxyGo CPAP Sanitizer+ and follow all recommendations. Use of this product in a manner other than described in these product instructions or specified by the manufacturer may hinder safety protection provided by this equipment.

Please review and familiarize yourself with the function diagrams that identify the buttons, display, and features of the device. They will be frequently referred to in this manual and are important in understanding the operating instructions.

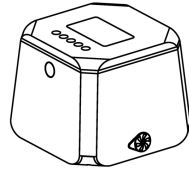
The OxyGo CPAP Sanitizer+ cleaner has the capability of sanitizing surfaces by using UV-C (Ultraviolet Light) and / or Activated Oxygen. The user can choose the mode that will perform best for them. These modes can be used through either a manual mode or an automatic mode.



Table of Contents

Items included	4
Key Parts	5
Menu Panel	6
Operating Instructions	7
Setting Clock	7
Open/Close Lid	7
Manual Mode Settings	8
UV-C sanitizing in manual mode	8
Activated Oxygen sanitizing in manual mode	9
UV & Activated Oxygen sanitizing in manual mode	11
Auto Mode Settings	12
Replacing carbon filters	13
Routine Care	14
F.A.Q.	15

What comes with your OxyGo CPAP Sanitizer+?

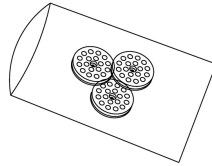


OxyGo CPAP Sanitizer+ Device

1700-5010



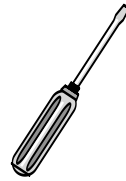
Power Cord 1700-5060



Replacement filters 1700-5040



Power adapter (110v) 1700-5061



1700-5050

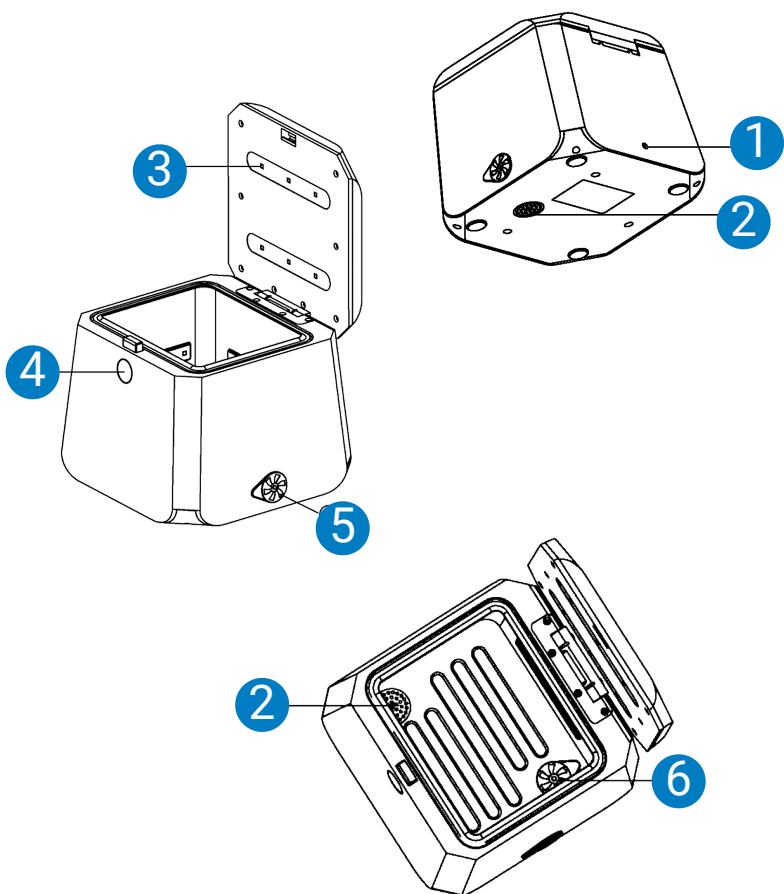
Screwdriver for filter changes



Product instructions

1700-5051

Key Parts



1. DC Input

2. Activated carbon filter

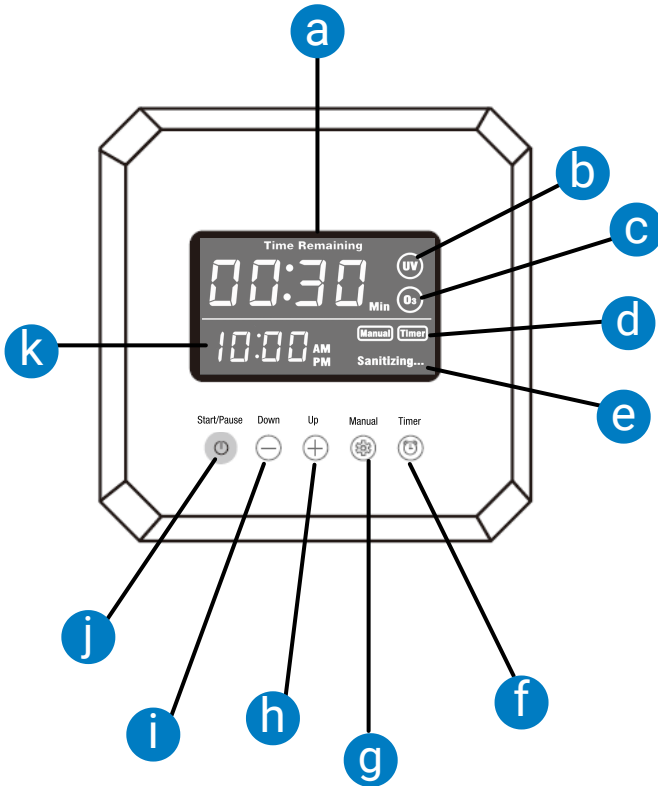
3. UV Light

4. Open button

5. External sealing lid

6. Internal sealing lid

Menu Panel



- a. Remaining sanitizing time
- b. UV indicator
- c. Activated Oxygen indicator
- d. Manual/Timer mode
- e. Working indicator
- f. Timer
- g. Manual
- h. +/Up
- i. -/Down
- j. Start/Pause
- k. Clock

Operating Instructions

Setting the Clock

How to set the clock.

1. Press and hold the timer button then release the button.
2. The hour will begin flashing which will allow the number to be changed up or down.
3. Press the + button to increase the time or the - button to decrease the time. This will adjust the hours with the hour display flashing. Then select AM or PM.
4. Once the display has flashed 4 times the adjusted hour time will be saved.
5. To adjust the minutes press and hold the timer button again to allow the minutes to flash.
6. Press the + button to increase the time or the - button to decrease the time. This will adjust the minutes with the minute display flashing.
7. Once the display has flashed 4 times the adjusted minute will be saved.
8. This completes clock set-up.

Opening and closing the lid

Note: When opening and closing the lid of the OxyGo CPAP Sanitizer+, place hands on the sides or front of the lid to avoid unintentionally changing any settings.



Manual Mode Settings

How to perform UV-C sanitizing in manual mode

To perform UV-C (ultraviolet light) sanitizing ONLY follow these instructions.

1. Open the lid of the device by pushing the large “OPEN” button on the front of the device.
2. Place items to be sanitized using UV light into the chamber of the OxyGo CPAP Sanitizer+. These items can include CPAP masks and hoses, remote controls, toothbrushes, combs, pens, and any other item to be sanitized that will fit inside of the chamber. **NOTE:** For best results, avoid stacking items when placing them into the chamber to allow for maximum UV exposure on all surfaces.
3. Once all items to be sanitized are inside the chamber, close the lid of the OxyGo CPAP Sanitizer+.
4. Press the Start/Pause button on the lid of the OxyGo CPAP Sanitizer+ to turn the device on.
5. Press the manual button to change the desired mode. Press the manual button until the UV symbol is shown in the upper right corner of the display. The UV symbol should be the only symbol shown in this area.
6. The UV mode can run for 5, 10, or 15 minutes. To choose the length of time, press the + or – button to adjust to desired length of minutes. When the desired length is selected stop pressing the button and allow the number to remain on the screen. **NOTE:** While a 5-minute cycle is usually sufficient to thoroughly sanitize most items, you may choose a longer cycle when sanitizing larger or multiple items.
7. Press the Start/Pause button to begin the UV cycle.
8. Once pressed the clock will count down the time until the end of the cycle.
9. When the cycle is completed 4 dashes will appear on the screen to show that the cycle is complete.
10. Open the lid by pressing the large Open Button on the front of the device and safely remove the items.

Manual Mode Settings

How to perform Activated Oxygen sanitizing in manual mode

To perform Activated Oxygen sanitizing ONLY follow these instructions.

1. Open the lid of the OxyGo CPAP Sanitizer+ by pushing the large OPEN button on the front of the device.
2. Open the blue internal sealing lid inside the chamber by lifting and partially rotating it counterclockwise. This blue sealing lid is in the top right corner of the bottom of the chamber. This will allow the Activated Oxygen into the chamber.
3. Place items to be sanitized using Activated Oxygen into the chamber of the OxyGo CPAP Sanitizer+. These items can include CPAP masks, hose, humidifier components and most other plastic or rubber items. Do not use Activated Oxygen to sanitize metal, electronics, or other sensitive materials as such items could be damaged.
4. With the items to sanitize inside of the chamber close the lid of the OxyGo CPAP Sanitizer+.
5. Press the Start/Pause button on the lid of the OxyGo CPAP Sanitizer+ to turn the device on.
6. Press the manual button to change the desired mode. Press the manual button until the O3 (Activated Oxygen) symbol is shown in the upper right corner of the display. The O3 symbol should be the only symbol shown in this area.
7. The Activated Oxygen cycle can run for 20, 30, or 40 minutes. To change the cycle time, press the + or – button to adjust to the desired cycle time. When the desired length is selected stop pressing the button and allow the number to remain on the screen. **NOTE:** While a 20-minute cycle is usually sufficient to thoroughly sanitize most items, we recommend choosing a longer cycle when sanitizing larger or multiple items.
8. Press the Start/Pause button to begin the Activated Oxygen disinfecting cycle.
9. Once pressed the clock will count down the time until the end of the cycle.

Continued on next page.

Manual Mode Settings

How to perform Activated Oxygen sanitizing in manual mode - cont'd

10. When the cycle is completed 4 dashes will appear on the screen to show that the cycle is complete.
11. After the cycle is completed allow the OxyGo CPAP Sanitizer+ sit for 2 hours for the Activated Oxygen to dissipate prior to opening.
12. Open the lid by pressing the large Open Button on the front of the device and safely remove the items.

Manual Mode Settings

How to perform both UV & Activated Oxygen sanitizing in manual mode

To perform UV & Activated Oxygen disinfecting follow these instructions.

1. Open the lid of the OxyGo CPAP Sanitizer+ by pushing the large OPEN button on the front of the device.
2. Open the blue internal sealing lid inside of the chamber by lifting and partially rotating it counterclockwise. This blue sealing lid is located in the top right corner of the bottom of the chamber.
3. Place items to be sanitized using Activated Oxygen into the chamber of the OxyGo CPAP Sanitizer+. These items can include CPAP masks, hose, humidifier components and most other plastic or rubber items. It is not recommended to use Activated Oxygen to sanitize metals, electronics, or other sensitive materials.
4. With the items to sanitize inside of the chamber close the lid of the OxyGo CPAP Sanitizer+.
5. Press the Start/Pause button on the lid of the OxyGo CPAP Sanitizer+ to turn the device on.
6. Press the manual button to change the desired mode. Press the manual button until on the top right side of the display the Activated Oxygen (O3) and UV are shown. Both the UV and Activated Oxygen symbol should be shown in this area.
7. Press the Start/Pause button to begin the UV and Activated Oxygen cycle.
8. The UV will run for 5 minutes. This is the standard UV-C cycle time.
9. Once the UV cycle is complete the device will begin the Activated Oxygen cycle.
10. UV sterilization will occur first followed by Activated Oxygen.
11. The display screen will show that sterilizing is occurring.
12. Once pressed the clock will count down the time until the end of the cycle.
13. When the cycle is completed 4 dashes will appear on the screen to show that the cycle is complete.
14. After the cycle is completed allow the OxyGo CPAP Sanitizer+ sit for 2 hours for the Activated Oxygen to dissipate prior to opening.
15. Open the lid by pressing the large Open Button on the front of the device and safely remove the items.

Auto Mode Settings

How to set the sanitizing mode using the timer

To set the timer on the OxyGo CPAP Sanitizer+ for the device to start automatically at a specified time follow these instructions.

1. Set the clock as described in the basic instructions.
2. Put your items to be sanitized into the chamber of the OxyGo CPAP Sanitizer+.
3. Choose one of the three mode options: UV, Activated Oxygen, or both UV & Activated Oxygen. Follow the instructions as described in the manual mode to choose an option.
4. Set the duration of the mode as described in the manual mode settings.
5. Press the timer button until the timer icon appears on the display screen. This will indicate that the timer mode is ready to be set.
6. To set hours, quickly press and release the timer button until the "hours" segment flashes on the large timer indicator. Change the hours by pushing the + or – button to the desired start time you want the OxyGo CPAP Sanitizer+ to begin. Once selected, the display will flash four times then stop flashing.
7. To set minutes, quickly press and release the timer button until the "minutes" segment flashes on the large timer indicator. Change the minutes by pushing the + or – button to the desired start time you want the OxyGo CPAP Sanitizer+ to begin. Once selected, the display will flash four times then stop flashing.
8. The device will automatically turn on and begin sanitizing at the preset modes and cycle time set.

Replacing Carbon Filters

The activated carbon filters are recommended to be replaced every 2 months with daily use.

1. The first filter is located in the lower left corner of the bottom inside the chamber. It is round with many small holes in it. The OxyGo CPAP Sanitizer+ device comes with six replacement filters. Additional replacement filters are available through your provider of the device.
2. The second filter is located underneath the OxyGo CPAP Sanitizer+.
3. Remove the screw in the center of the filter using the screwdriver included with your device.
4. With the screw removed, remove the filter.
5. Position the new replacement filter and reinsert the screw until the filter is secure. NOTE: DO NOT overtighten screw.

Routine Care

The activated carbon filters are recommended to be replaced every 2 months with daily use.

1. Do not expose the OxyGo CPAP Sanitizer+ device to damp environments.
2. Do not expose the OxyGo CPAP Sanitizer+ to sunlight or direct heat for extended periods of time.
3. When using the product place it in a clean, dry, well-ventilated area.
4. Do not use the device if the case is cracked or damaged or if you notice that other damage to the device or its components has occurred.
5. Do not use harsh liquids or cleaners to clean the product. These may damage the surface of the device. Use only mild soap and water to safely clean the device.

Frequently Asked Questions

What is UV-C?

UV-C is a type of Ultraviolet light that is naturally occurring from the sun and absorbed by the atmosphere/ozone layer. UV-C generated by LED's can be used for multiple purposes, including sanitizing surfaces. UV-C has been used in many industries, including hospitals, to safely and effectively destroy 99.9% of germs, viruses, bacteria, and other pathogens, without harmful chemicals, odors, or residues.

What is Activated Oxygen?

Activated Oxygen is recognized as an effective and safe method to sanitize materials and is used in many industries, including hospitals, public water facilities, agriculture production, hotels, and more. The OxyGo CPAP Sanitizer+ produces Activated Oxygen by taking in room air and converting it to Activated Oxygen (O₃) for the sanitizing process. The Activated Oxygen is converted back to regular O₂ before exiting the chamber by the filter located inside the chamber. Activated Oxygen has been shown to destroy 99.9% of germs, bacteria, and other pathogens without harmful chemicals or water.

How long should I run UV?

Industry tests on UV-C has been shown to destroy 99.9% of germs, bacteria, viruses, and other pathogens in as little as 3 minutes.

Is Activated Oxygen safe to use for sanitizing my CPAP equipment?

Yes. Activated Oxygen has been used for decades as a safe, effective way of sanitizing products. It continues to be used in city water plants, fruit and vegetable production, hospitals and more. However, we do not recommend that Activated Oxygen run through your CPAP machine.

Frequently Asked Questions

Is Activated Oxygen released into the room during the cleaning process?

No. The Activated Oxygen is contained in the chamber or tubing during the cleaning process. Once the cleaning process is complete, the Activated Oxygen changes back to regular oxygen by the outlet filter prior to exiting the device.

Can I put anything into the device to clean with the Activated Oxygen mode?

It is recommended that the Activated Oxygen sanitizing mode only be used for cleaning your CPAP equipment. It is not recommended to use Activated Oxygen to clean any items having metals, electronics, batteries, or other similar materials. Use the UV mode to safely and effectively sanitize products made with these materials.

Can I use UV mode to sanitize my cell phone, keys, TV remotes and other related items?

Yes. The UV mode can be used to clean any item safely and effectively without water, residue or harmful chemicals. When placing items into the device, allow space between items to allow for maximum UV light exposure.

Do I need to continue washing my sleep equipment if I am using the OxyGo CPAP Sanitizer frequently?

The UV and Activated Oxygen modes in the OxyGo CPAP Sanitizer+ will not remove facial oils, makeup, lotions, or other organic materials that may build up on your equipment. It is recommended to follow your manufacturer's guidelines on periodic washing to remove these types of materials.

Frequently Asked Questions

Do I need to clean my CPAP items prior to sanitizing them with using the Activated Oxygen mode?

While it is not necessary, it may be beneficial to wash new sleep equipment to remove any potential oils or residue from the manufacturing process before sanitizing for the first time. Follow the manufacturer's guidelines of your sleep equipment for recommended cleaning procedures.

Are there any parts I need to routinely replace in my OxyGo CPAP Sanitizer+?

Yes. The Activated Carbon Filter located inside the chamber is recommended to be replaced every two months with daily use. Your unit comes with six additional filters providing six month's supply of replacement filters. Contact your provider to order additional replacement filters.

For questions or service on your
OxyGo CPAP Sanitizer+, please
contact your local equipment provider.

For warranty information visit
www.oxygo.life/sanitizer-warranty.



www.oxygo.life

For questions or service on your
OxyGo CPAP Sanitizer+, please
contact your local Equipment Provider.

For warranty information visit
www.oxygo.life/sanitizer-warranty.

PN 1700-5051 V3

© 2021 OxyGo HQ Florida, LLC. All rights reserved.