



Product Instructions



Cleans and sanitizes so you can keep going.

www.oxygo.life

IMPORTANT SAFEGUARDS



Warning!

Read all instructions before using this product!

SAVE THESE INSTRUCTIONS.

This manual contains important safety and operating instructions for this product.

When using any electrical appliance, basic safety precautions should always be followed to prevent risk of electrical shock, including the following:

WARNING: TO AVOID RISK OF ELECTRICAL SHOCK, ALWAYS MAKE SURE THE PRODUCT IS UNPLUGGED BEFORE ATTEMPTING TO MOVE OR CLEAN THE DEVICE

1. To protect against risk of electrical shock, do not immerse cord, plug, power adapter, or the OxyGo CPAP Sanitizer device in water or other liquid.
2. Do NOT operate appliance if the power cord or plug is damaged. Any damaged part must be repaired or replaced by the manufacturer or an authorized service provider before use. Regularly check the power cord, plug, and power adapter to ensure that they are undamaged.
3. Do NOT run cord under carpeting. Do NOT cover cord with throw rugs, runners, or other similar coverings. Arrange cord away from traffic areas where it will not be tripped over.
4. Do NOT use outdoors or on wet surfaces.
5. Do NOT place near a source of heat.
6. WARNING: Choking Hazard. Small Parts. Keep away from children under 3 years.
7. Do NOT use this product other than for its intended use and in accordance with the product instructions.
8. CAUTION: This product is not intended for commercial, professional or industrial use. This product is not intended for the sanitation of medical or dental equipment including surgical devices, scalpels or other medical devices.

****Guaranteed safe for all major CPAP machines if used as directed.****

OxyGo CPAP Sanitizer Product Instructions

Congratulations on your purchase of an OxyGo CPAP Sanitizer and device cleaner!

Please carefully review the operation and safety information for the OxyGo CPAP Sanitizer and follow all recommendations. Use of this product in a manner other than described in these product instructions or specified by the manufacturer may hinder safety protection provided by this equipment.

Please review and familiarize yourself with the function diagrams that identify the buttons, display, and features of the device. They will be frequently referred to in this manual and are important in understanding the operating instructions.

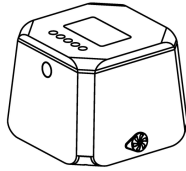
The OxyGo CPAP Sanitizer cleaner has the capability of sanitizing surfaces by using UV-C (Ultraviolet Light).



Table of Contents

Items included	3
Key Parts	4
Menu Panel	5
Operating Instructions	6
Setting Clock	6
Open/Close Lid	6
Manual Mode Settings	7
UV-C sanitizing in manual mode	7
Auto Mode Settings	8
Set the sanitizing mode using the timer	8
Routine Care	9
F.A.Q.	10

What comes with your OxyGo CPAP Sanitizer?



OxyGo CPAP Sanitizer Device

1700-5020



Power Cord 1700-5060



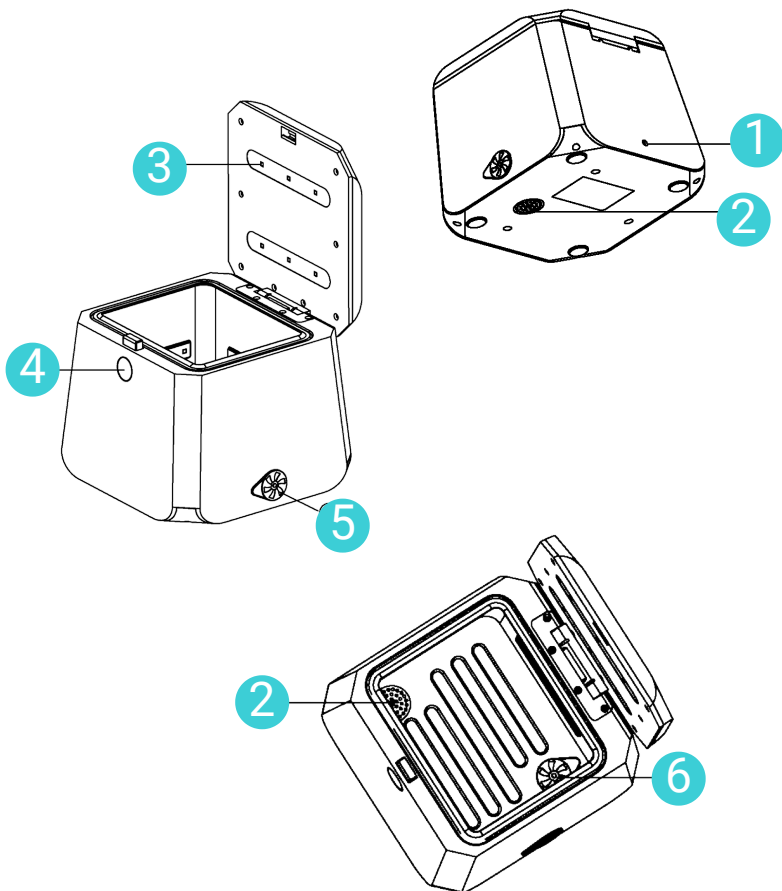
Power adapter (110v) 1700-5061



Product instructions

1700-5052

Key Parts



1. DC Input

2. Activated carbon filter

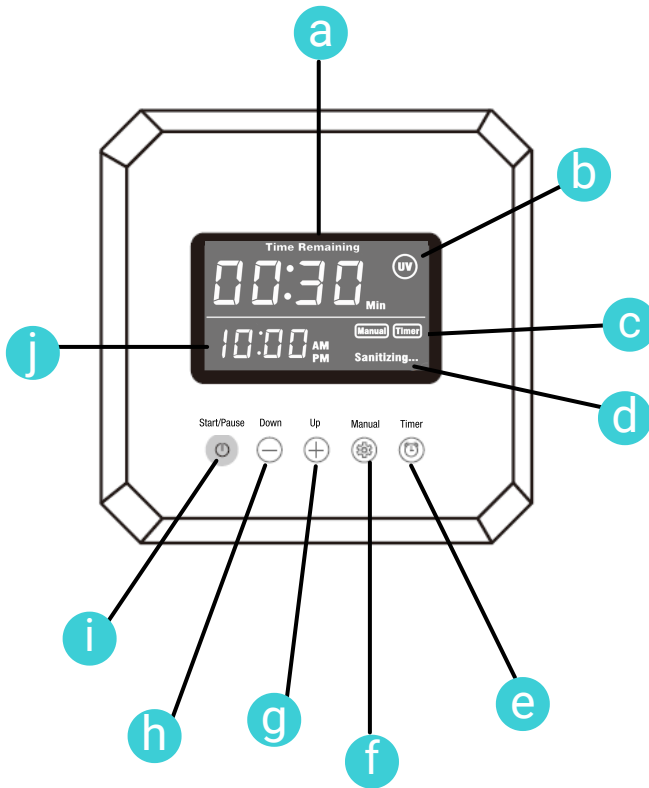
3. UV Light

4. Open button

5. External sealing lid

6. Internal sealing lid

Menu Panel



a. Remaining sanitizing time

b. UV indicator

c. Manual/Timer mode

d. Working indicator

e. Timer

f. Manual

g. +/Up

h. -/Down

i. Start/Pause

j. Clock

Operating Instructions

Setting the Clock

How to set the clock.

1. Press and hold the manual button then release the button.
2. The hour will begin flashing which will allow the number to be changed up or down.
3. Press the + button to increase the time or the - button to decrease the time. This will adjust the hours with the hour display flashing.
4. Once the display has flashed 4 times the adjusted hour time will be saved.
5. To adjust the minutes press and hold the manual button again to allow the minutes to flash.
6. Press the + button to increase the time or the - button to decrease the time. This will adjust the minutes with the minute display flashing.
7. Once the display has flashed 4 times the adjusted minute will be saved.
8. This completes clock set-up.

Opening and closing the lid

Note: When opening and closing the lid of the OxyGo CPAP Sanitizer, place hands on the sides or front of the lid to avoid unintentionally changing any settings.



Manual Mode Settings

How to perform UV-C sanitizing in manual mode

To perform UV-C (ultraviolet light) sanitizing ONLY follow, these instructions:

1. Open the lid of the OxyGo CPAP Sanitizer by pushing the large “OPEN” button on the front of the device.
2. Place items to be sanitized using UV light into the chamber of the OxyGo CPAP Sanitizer. These items can include CPAP masks and hoses, remote controls, toothbrushes, combs, pens, and any other item to be sanitized that will fit inside of the chamber. **NOTE:** For best results, avoid stacking items when placing them into the chamber to allow for maximum UV exposure on all surfaces.
3. Once all items to be sanitized are inside the chamber, close the lid of the OxyGo CPAP Sanitizer.
4. Press the Start/Pause button on the lid of the OxyGo CPAP Sanitizer to turn the device on.
5. Press the manual button to change the desired mode. Press the manual button until the UV symbol is shown in the upper right corner of the display. The UV symbol should be the only symbol shown in this area.
6. The UV mode can run for 5, 10, or 15 minutes. To choose the length of time, press the + or – button to adjust to desired length of minutes. When the desired length is selected stop pressing the button and allow the number to remain on the screen. **NOTE:** While a 5-minute cycle is usually sufficient to thoroughly sanitize most items, you may choose a longer cycle when sanitizing larger or multiple items.
7. Press the Start/Pause button to begin the UV cycle.
8. Once pressed the clock will count down the time until the end of the cycle.
9. When the cycle is completed 4 dashes will appear on the screen to show that the cycle is complete.
10. Open the lid by pressing the large Open Button on the front of the device and safely remove the items.

Auto Mode Settings

How to set the sanitizing mode using the timer

To set the timer on the OxyGo CPAP Sanitizer for the device to start automatically at a specified time follow these instructions:

1. Set the clock as described in the basic instructions.
2. Put your items to be sanitized into the chamber of the OxyGo CPAP Sanitizer.
3. Choose the UV option. Follow the instructions as described in the manual mode to choose the option.
4. Set the duration of the mode as described in the manual mode settings.
5. Press the timer button until the timer icon appears on the display screen. This will indicate that the timer mode is ready to be set.
6. To set hours, quickly press and release the timer button until the "hours" segment flashes on the large timer indicator. Change the hours by pushing the + or – button to the desired start time you want the OxyGo CPAP Sanitizer to begin. Once selected, the display will flash four times then stop flashing.
7. To set minutes, quickly press and release the timer button until the "minutes" segment flashes on the large timer indicator. Change the minutes by pushing the + or – button to the desired start time you want the OxyGo CPAP Sanitizer to begin. Once selected, the display will flash four times then stop flashing.
8. The device will automatically turn and begin sanitizing at the preset mode and cycle time at that desired time.

Routine Care

1. Do not expose the OxyGo CPAP Sanitizer device to damp environments.
2. Do not expose the OxyGo CPAP Sanitizer to sunlight or direct heat for extended periods of time.
3. When using the product place it in a clean, dry, well-ventilated area.
4. Do not use the device if the case is cracked or damaged or if you notice that other damage to the device or its components has occurred.
5. Do not use harsh liquids or cleaners to clean the product. These may damage the surface of the device. Use only mild soap and water to safely clean the device.

Frequently Asked Questions

What is UV-C?

UV-C is a type of Ultraviolet light that is naturally occurring from the sun and absorbed by the atmosphere/ozone layer. UV-C generated by LED's can be used for multiple purposes, including sanitizing surfaces. UV-C has been used in many industries, including hospitals, to safely and effectively destroy 99.9% of germs, viruses, bacteria, and other pathogens, without harmful chemicals, odors, or residues.

How long should I run UV?

Industry tests on UV-C has been shown to destroy 99.9% of germs, bacteria, viruses and other pathogens in as little as 3 minutes.

Can I use UV mode to sanitize my cell phone, keys, TV remotes, and other related items?

Yes. The UV mode can be used to clean any item safely and effectively without water, residue, or harmful chemicals. When placing items into the device, allow space between items to allow for maximum UV light exposure.

Do I need to continue washing my sleep equipment if I am using the OxyGo CPAP Sanitizer frequently?

The UV mode in the OxyGo CPAP Sanitizer will not remove facial oils, makeup, lotions or other organic materials that may build up on your equipment. It is recommended to follow your manufacturer's guidelines on periodic washing to remove these types of materials.

For questions or service on your
OxyGo CPAP Sanitizer, please contact
your local equipment provider.

For warranty information visit
www.oxygo.life/sanitizer-warranty.



www.oxygo.life

For questions or service on your OxyGo CPAP Sanitizer, please contact your local equipment provider.

For warranty information visit www.oxygo.life/sanitizer-warranty.

PN 1700-5052 V4

© 2021 OxyGo HQ Florida, LLC. All rights reserved.